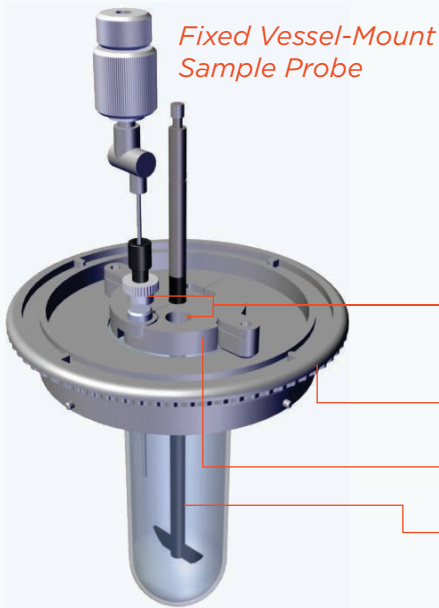


Includes everything you need to convert your Vision® Elite 8™ or Classic 6™ from the standard USP 1 liter to small volume dissolution testing for low concentration drug formulations and other special applications.

SPECIFICATIONS

Wetted Material: Borosilicate Glass vessels; PVC cover/adaptor; PTFE-coated and stainless steel mini spin-paddles, stainless steel baskets

Capacity: 150 mL (both flat-and round-bottom)



ROUND-BOTTOM VESSEL

Patterned after USP 1 L vessel

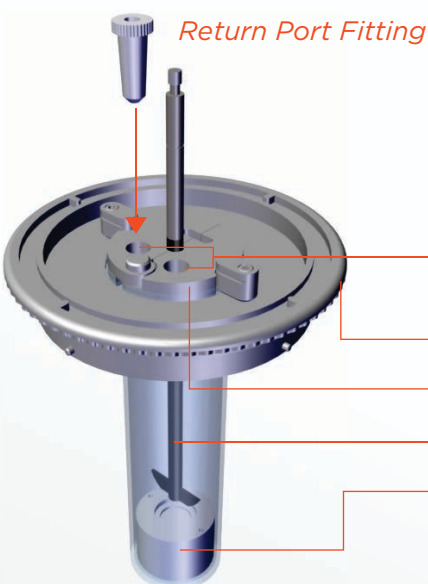
Two ports available for manual sampling, fixed vessel-mount sample probes (shown), or optional return port fitting

Easi-Lock™ Adapter Ring for small volume vessels

Vessel Cover

Mini Spin-Paddle* (patterned after USP Apparatus 2)

**Mini Basket with Mini Spin-Basket Shaft (patterned after USP Apparatus 1) also available.*



FLAT-BOTTOM VESSEL

Ensures a level cell membrane and minimal dead volume (5 mL)

Two ports available for manual sampling, fixed vessel-mount sample probes, or optional return port fitting (shown)

Easi-Lock™ Adapter Ring for small volume vessels

Vessel Cover

Mini Spin-Paddle* (patterned after USP Apparatus 2)

Immersion Cell for semisolid testing (see reverse for more info)

**Mini Basket with Mini Spin-Basket Shaft (patterned after USP Apparatus 1) also available.*

Designed for release rate testing of ointments and other topical preparations in the convenience of standard dissolution test equipment.

SPECIFICATIONS

Wetted Material: PTFE, Borosilicate Glass; Viton® O-Ring

Membrane Area: 15 mm

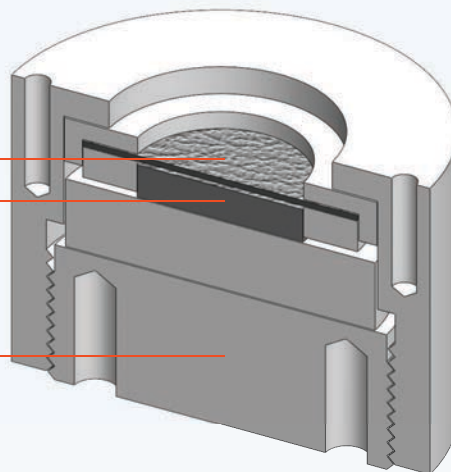
Dosage Area: 15 mm x Membrane Area; 3 mm deep

IMMERSION CELL (cross section)

Membrane Area (for standard 25 mm filter disks)

Dosage Area (provides for true repeatable volume)

Convenient assembly - tools available for cell preparation and removal



ORDERING INFORMATION

For more information, please contact your local Hanson representative or email us at sales@hansonresearch.com

VESSELS

- 74-105-151** Vessel, Round Bottom, 150 mL
- 74-105-161** Vessel, Round Bottom, 150 mL, Amber
- 74-105-152** Vessel, Flat Bottom, 150 mL
(Immersion Cell sold separately)
- 74-105-162** Vessel, Flat Bottom, 150 mL, Amber
(Immersion Cell sold separately)

PADDLES OR BASKETS

- 74-105-203** Mini Spin-Paddle, PTFE Coated
- 74-105-204** Mini Spin-Paddle, 316 SS
- 74-105-221*** Mini Basket, 40 Mesh, 316 SS (requires Mini Spin-Basket Shaft p/n 74-105-220)
- 74-105-220*** Mini Spin-Basket Shaft (order with Mini Basket p/n 74-105-221)

* Minimum order 6

SAMPLING PROBES

- 74-104-201** Manual Sampling Cannula, Adjustable, 1/8 in., PEEK
- 74-104-211** Fixed Vessel-Mount Sample Probe, Adjustable, 1/16 in., 316 SS
(requires Tubing Harness)
- 74-105-307** Auto-Probe (1), 1/8 in., PEEK (requires AutoMag™ or SuperMag™ and Tubing Harness)

IMMERSION CELLS (used with flat-bottom vessels)

- 65-190-043** Immersion Cell only, 15 mm
- 65-190-051** Immersion Cell w/ tools, 15 mm (single cell)
- 65-190-052** Immersion Cell w/ tools, 15 mm (set/6)

COVERS, ADAPTER RINGS, RETURN PORT FITTING

- 74-104-163** Vessel Cover (for 150 mL vessels)
- 74-104-155** Easi-Lock Adapter Ring (for 150 mL vessels)
- 74-104-205** Return Port Fitting (optional)

Small Volume accessories for SR8-Plus™ and Vision® are not interchangeable, except for Immersion Cells.